



Installation Instructions

Your mirror comes with Hardware Kit _____

Please Note: Instruction sheets are universal and not all mirrors come with all hardware.

Kit A:

H-3

SHP-1

Kit B:

H-3 H-19

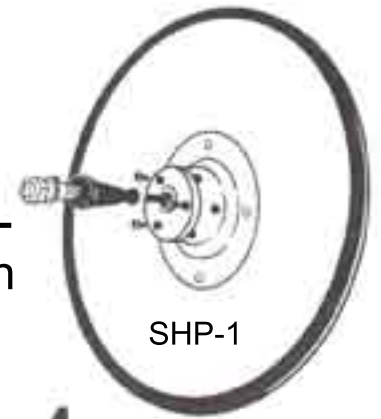
H-8 SHP-1

H-6

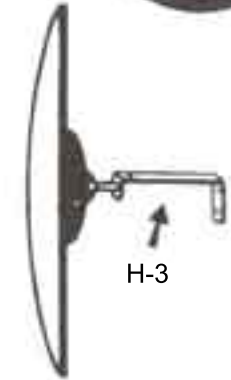
Kit C:

H-50

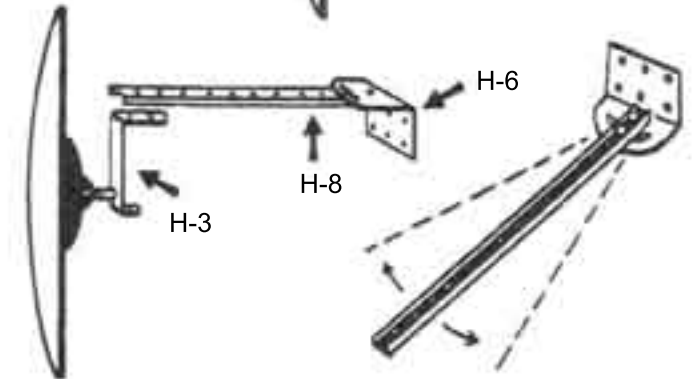
SHP-1



SHP-1



H-3



H-3

H-8

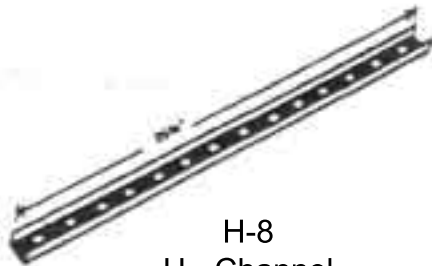
H-6

- ➊ Attach H-6 to wall, ceiling, countertop, etc
- ➋ Attach H-8 to H-6
- ➌ Attach H-3 to H-8
- ➍ Attach Mirror to H-3
- ➎ Slide ball stud under ball cover of SHP-1. Screw ball cover into mounting base on back of mirror.



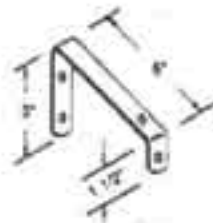
H-6

Base Plate



H-8

U - Channel

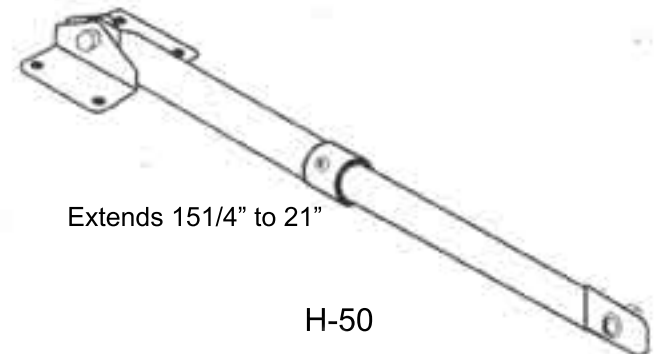


H-3

J - Bracket

FOUR (4) BOLTS,
NUTS & WASHERS
PROVIDED

H-19



Extends 15 1/4" to 21"

H-50

There is no express or implied warranty as to the use of this mirror for any particular purpose.